

Circular LED Luminaires

Nautilus 2

PERFORMANCE BETTER THAN 38 WATT 2D

The **Nautilus 2** range offers decorative surface mounted circular luminaires incorporating high output white LEDs within a 'sealed' polycarbonate light source enclosure minimising loss of efficacy due to dirt. The mains driver and emergency lighting gear is installed in the back of the housing away from internal heat sources. The main luminaire housing is installed by twisting on to the first fix ring. The **Nautilus 2** range offers an exceptional opportunity to design contemporary lighting installations with aesthetic luminaires specifically designed to offer mains only or maintained emergency lighting with integral Micro-Wave presence detectors for switching the mains operation where required. **Nautilus 2** luminaires comply with EN60598.

OPERATION

Standard **Nautilus 2** luminaires provide 2100 Luminaire Lumens at 25Watts (84lm/W). The luminaires are available with standard mains drivers or DALI mains drivers and with integral 3hour duration Maintained emergency gear, again with the choice of standard or DALI/Self-Test operation. Mains and emergency versions may be specified with an integral Micro-Wave presence detector to switch the mains lighting. Sensitivity, 'on' time and ambient light levels can be selected during installation. The emergency lighting versions utilise integral high temperature Nickel Cadmium batteries. Maintained versions can be used for standard switched mains lighting but will automatically provide emergency lighting in the event of a complete loss of normal mains supply.

DALI/Self-Test Options:

Luminaires can be standard mains / standard emergency; DALI mains / standard emergency; standard mains / DALI emergency or DALI mains / DALI emergency. Please specify as required.



GENERAL DETAILS

Product	Decorative circular luminaire
Light source	White LEDs (3480lm)
Construction	Polycarbonate housing Steel first fix ring
Geartray	Back of main housing
Dimensions	360mm dia. (max) x 65mm
Cable entry	Through first fix ring

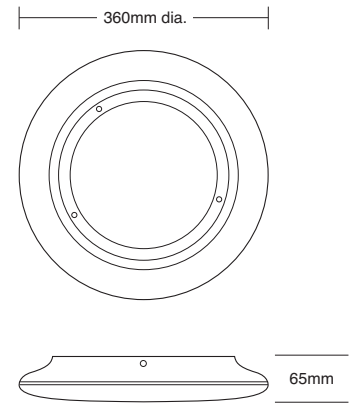


All details and specifications shown in this document are deemed correct at time of publication. The right to modify equipment, change specifications and instructions without notice, is reserved as part of Light Solutions Engineering Ltd., policy of continuous development and improvement. We endeavor to keep all our customers informed of any alterations as and when they occur.

Circular LED Luminaires

SPECIFICATION

	Maintained	Mains only
Light source	Surface mount White LEDs 3480lm	
Colour temperature	4000K	
Luminaire lumens (mains)	2100lm	2100lm
Luminaire lumens (emergency)	230lm	—
IP Rating	IP20	
Ambient temperature (Ta)	25°C	
Insulation class	Class II	
Supply voltage	230V~50Hz	—
Supply power	27W	25W
Charge power (typical)	1.9W	—
Battery	1x6.0V 2.0Ah NiCd	—
Weight	3.5kg	2.6kg



NAUTILUS 2 — Emergency Lighting Spacings

	Mounting height Hm (m)	Fitting to Wall	Fitting to Fitting	
Nautilus 2 operating in emergency mode	2.5	4.7	11.2	1 Lux min at centre
	4.0	5.0	12.9	
	2.5	5.7	12.2	0.5 Lux min (open)
	4.0	6.0	13.6	



ORDER CODES

Description

NT2/M3/WH	360mm dia. 'standard' Mains and 'standard' emergency LED luminaire
NT2/230/WH	360mm dia. 'standard' Mains only LED luminaire
NT2/230/M3D/WH	360mm dia. 'standard' Mains and 'DALI Self-Test' emergency LED luminaire
NT2/230D/WH	360mm dia. 'DALI' Mains only LED luminaire
NT2/230D/M3/WH	360mm dia. 'DALI' Mains and 'standard' emergency lighting LED luminaire
NT2/230D/M3D/WH	360mm dia. 'DALI' Mains and 'DALI Self-Test' emergency LED luminaire

OPTIONS:

/MW	Integral Micro-Wave presence detector
------------	---------------------------------------