

IP65 LED Amenity Luminaires

Amenity MAX

The **Amenity MAX** luminaires provide attractive and robust solutions for providing lighting to walkways, tunnels, storage areas, car parks etc. The enclosure is sealed to IP65 and houses a geartray, electronic driver and multi-circuit LED board. The Polycarbonate lens provides excellent photometric performance (1750 luminaire lumens). The robust Cast Aluminium & Polycarbonate enclosure is vandal resistant and provides protection to IP65/IK10. Suitable for ambient temperatures of up to 35°C (25°C for emergency versions) the units are ideal for interior and exterior environments.



AMAX/STD/M3/BL

AMAX/STD/P/WH

OPERATION

The **Amenity MAX** luminaires are available with mains only or Maintained emergency operation. All emergency versions provide 3 hour duration from integral high temperature Nickel Cadmium (NiCd) batteries. Maintained versions can be used for standard switched mains lighting but will automatically provide emergency lighting in the event of a complete loss of normal mains supply. (Non-maintained operation is available by excluding a switched live supply). The benefits of the modern white low power LEDs include long life (typically 50,000hours+), excellent energy efficiency, low operating temperatures therefore improving the life of the internal batteries and good operation at low ambient temperatures. The **Amenity MAX** luminaires fully comply to the requirements of EN60598.2.22



AMAX/CDB/M3/BL

GENERAL DETAILS

Product	Amenity Luminaire
Light source	Multi-circuit LEDs
Luminaire Lumens	1750lm (Standard) 1400lm (Eye)
Construction	Cast aluminium body (and EYE or CDB covers) with polycarbonate opal lens
Geartray	White PCB fixed keyhole slots
Dimensions	360mm (dia.) x 100mm max (H)
Cable entry	20mm conduit in back



AMAX/EYE/M3/BL

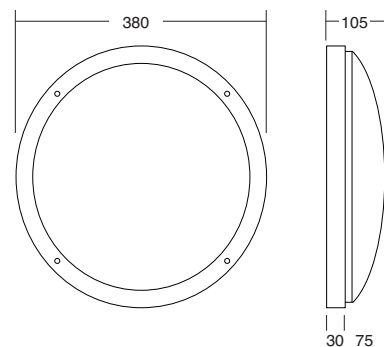
IP65 LED Amenity Luminaires

SPECIFICATION

	Maintained	Mains only
Light source	Surface mounted white LEDs (2500lm max.)	
Colour temperature	4500K	
Luminaire lumens (mains)	1750lm (STD) 1400lm (EYE)	1750lm (STD) 1400lm (EYE)
Lumens (emergency)	280lm (STD) 224lm (EYE)	—
IP rating	IP65	
Ambient temperature (Ta)	35°C (25°C emergency)	
Insulation class	Class I	
Supply voltage	230V ~ 50Hz	
Supply power	22.0W (STD) 21.4W (EYE)	19.4W (STD) 18.8W (EYE)
Charge power (typical)	3W	—
Battery	5 x 2Ah NiCd sub-C cells	—
Weight	3.9kg	3.0kg

AMENITY MAX – Emergency Lighting Spacings

Amenity MAX emergency (not EYE)		
Mounting height Hm (m)	Spacing (m) min 0.5Lux open area	Spacing (m) min 1Lux escape
2.0	10.7	7.5
2.5	11.3	7.6
3.0	12.3	7.8
4.0	12.5	8.2



ORDER CODES

ORDER CODES	Description
AMAX/STD/M3/BL	Standard cover; Maintained emergency; Black body
AMAX/STD/P/BL	Standard cover; Mains only; Black body
AMAX/STD/M3D/BL	Standard cover; Maintained DALI/Self-Test emergency; Black body

OPTIONS:

suffix /MW	Micro-Wave presence detector
/EYE (instead of STD)	'Eyelid' cover (instead of Standard)
/CBD (instead of STD)	'Crossblade' cover (instead of Standard)
/WH (instead of BL)	White body and cover (instead of Black)